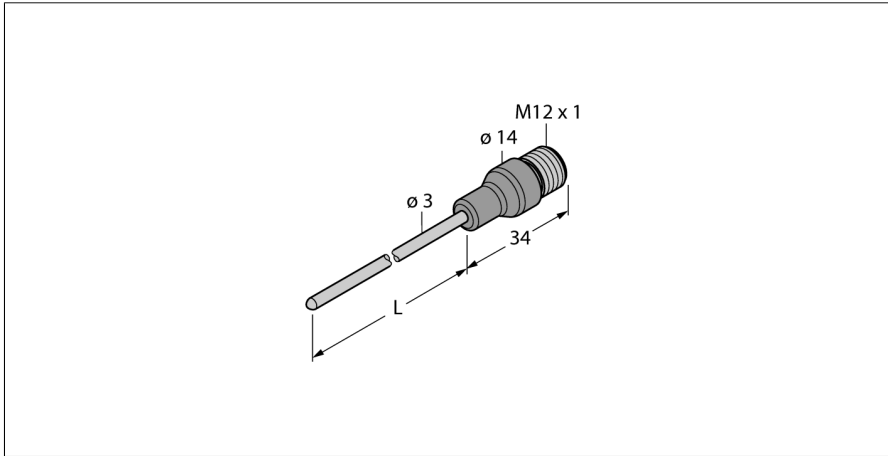
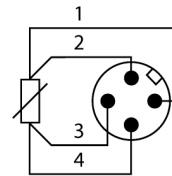


Temperature measurement
Probe
TP-203A-CF-H1141-L050



- Pt-100 probe acc. to DIN EN 60751
- Vibration and shock-resistant
- Connectable to TS, TTM, IM34, BL20, BL67
- Max. temperature connector: 90 °C
- 4-wire connection technology

Wiring Diagram



General description

Resistance thermometers are used for the detection and monitoring of temperatures to optimize and control a process.

Typical applications are in machine and plant construction as well as in the process industry. The core element of the temperature probe is a temperature-dependent resistor.

Type designation	TP-203A-CF-H1141-L050
Ident-No.	9910645
Mounting conditions	Immersion sensor
Storage temperature	-40...+85 °C
Design	Temperature probe
Electrical connection	Connector, M12, 4-pin
Protection class	IP67
MTTF	2283 years acc. to SN 29500 (Ed. 99) 20 °C
Packaging unit	1

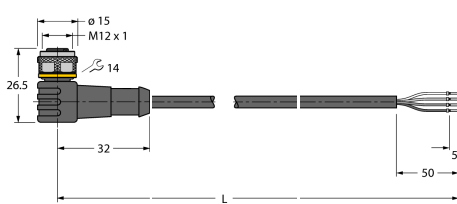
**Temperature measurement
Probe
TP-203A-CF-H1141-L050**



Accessories

Type code	Ident-No.	Description	
CF-M-3-G1/8-A4	9910405	Compression ferrule fittings for direct mounting of temperature probes	
CF-M-3-N1/8-A4	9910406	Compression ferrule fittings for direct mounting of temperature probes	
CF-M-3-G1/4-A4	9910407	Compression ferrule fittings for direct mounting of temperature probes	
CF-M-3-N1/4-A4	9910408	Compression ferrule fittings for direct mounting of temperature probes	

Wiring accessories

Type code	Ident-No.	Description	
WKC4.4T-2/TEL	6625025	Connection cable, female M12, angled, 4-pin, cable length: 2 m, sheath material: PVC, black; cULus approval; other cable lengths and qualities available, see www.turck.com	

Temperature measurement
 Probe
 TP-203A-CF-H1141-L050



Wiring accessories

Type code	Ident-No.	Description	
RKC4.4T-2/TXL	6625503	Connection cable, female M12, straight, 4-pin, cable length: 2 m, sheath material: PUR, black; cULus approval; other cable lengths and qualities available, see www.turck.com	
WKC4.4T-2/TXL	6625515	Connection cable, female M12, angled, 4-pin, cable length: 2 m, sheath material: PUR, black; cULus approval; other cable lengths and qualities available, see www.turck.com	
RKC4.4T-P7X2-10/TXL	6626184	Connection cable, female M12, angled, 4-pin, cable length: 10m, sheath material: PUR, black; cULus approval; other cable lengths and qualities available, see www.turck.com	